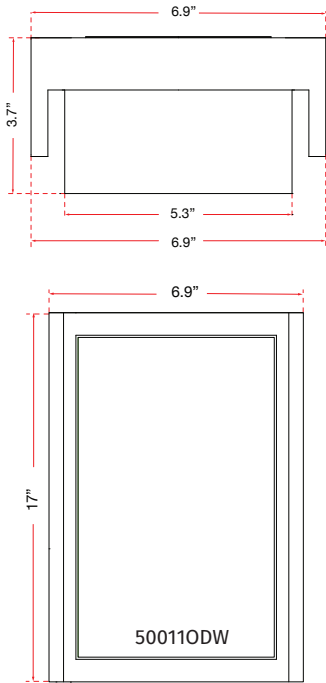




ABRA MODEL **500110DW-MB**
 FAMILY NAME **Titon**

Wet Location Miter Glass LED Wall
 UPC **00810035190719**



FIXTURE MATERIAL				FIXTURE DIMENSIONS IN INCHES										
Frame Material	Finishes Available	Diffuser Type	Diffuser Finish	Diameter	Height	o.a.h	Width	Length	Ext	Weight	ADA	Location	Rating	Compliance
Steel	MB-Matte Black SL-Silica	Glass	Frosted		17	10	6.9		3.7		Compliant	Wall Mount only	Wet Location	cETL
LAMPING										Compatible Dimmers	Junction Box Type	SUPPLIED		
Lamp Type	Lamp qty	Wattage	Max Wattage	Base	Kelvin	CRI	Initial Lumen's	Delivered Lumen's	Voltage		Standard 4 x 4 Octagon Box			
LED	1	20w	20w	Solid State Module	3000k	90+	1700	1190 estimated	120v					
SPECIAL NOTES														

Project Name			
Date		Type	