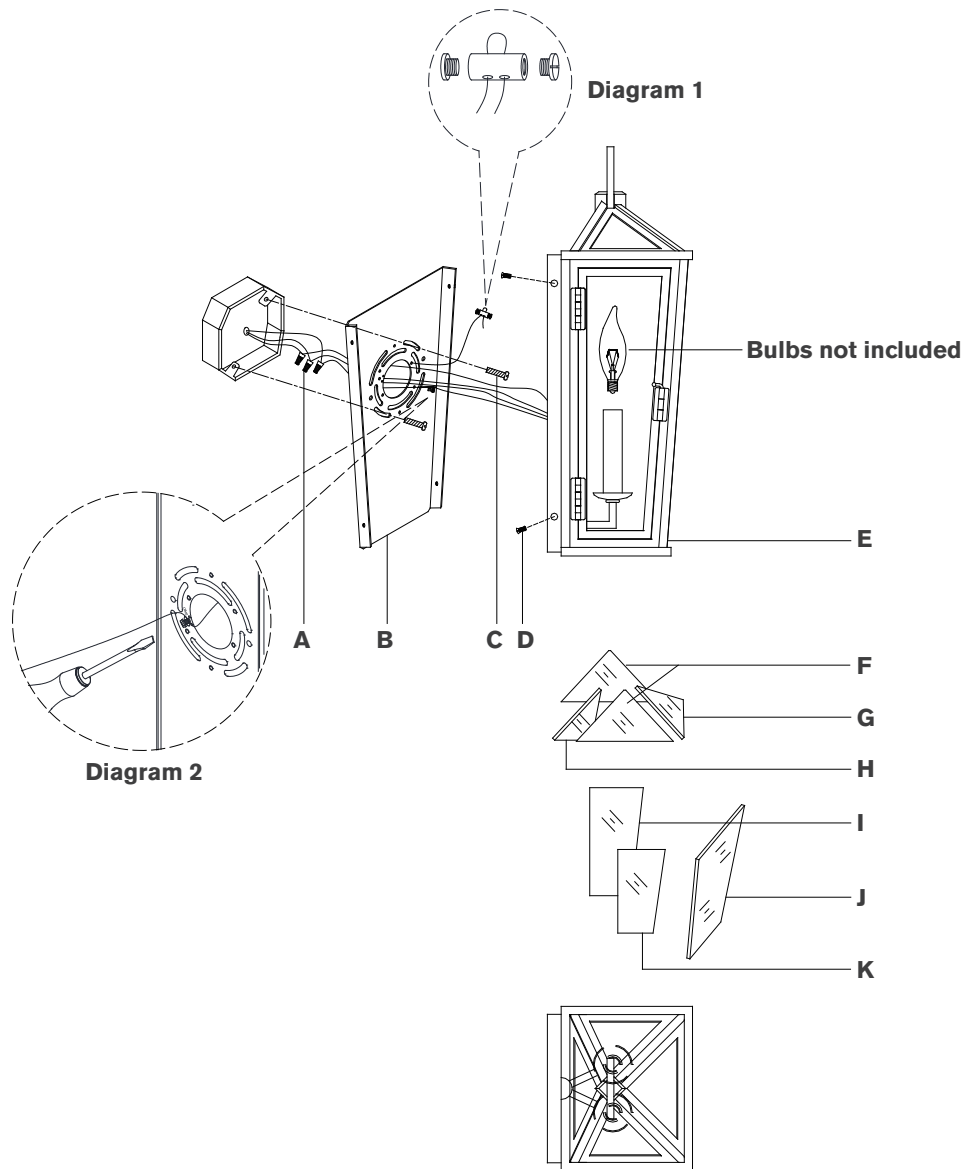


ASSEMBLY INSTRUCTIONS



Darlana Tall 3/4 Wall Lantern

Item # CHO 2087

NOTICE:

This light fixture should be installed in accordance with all applicable, local installation codes, and by a person familiar with the construction and operation of it, as well as the hazards involved. Inspect item and contents carefully. If any damage or defect is found, do not install. Retain all packaging material until installation is complete and approved.

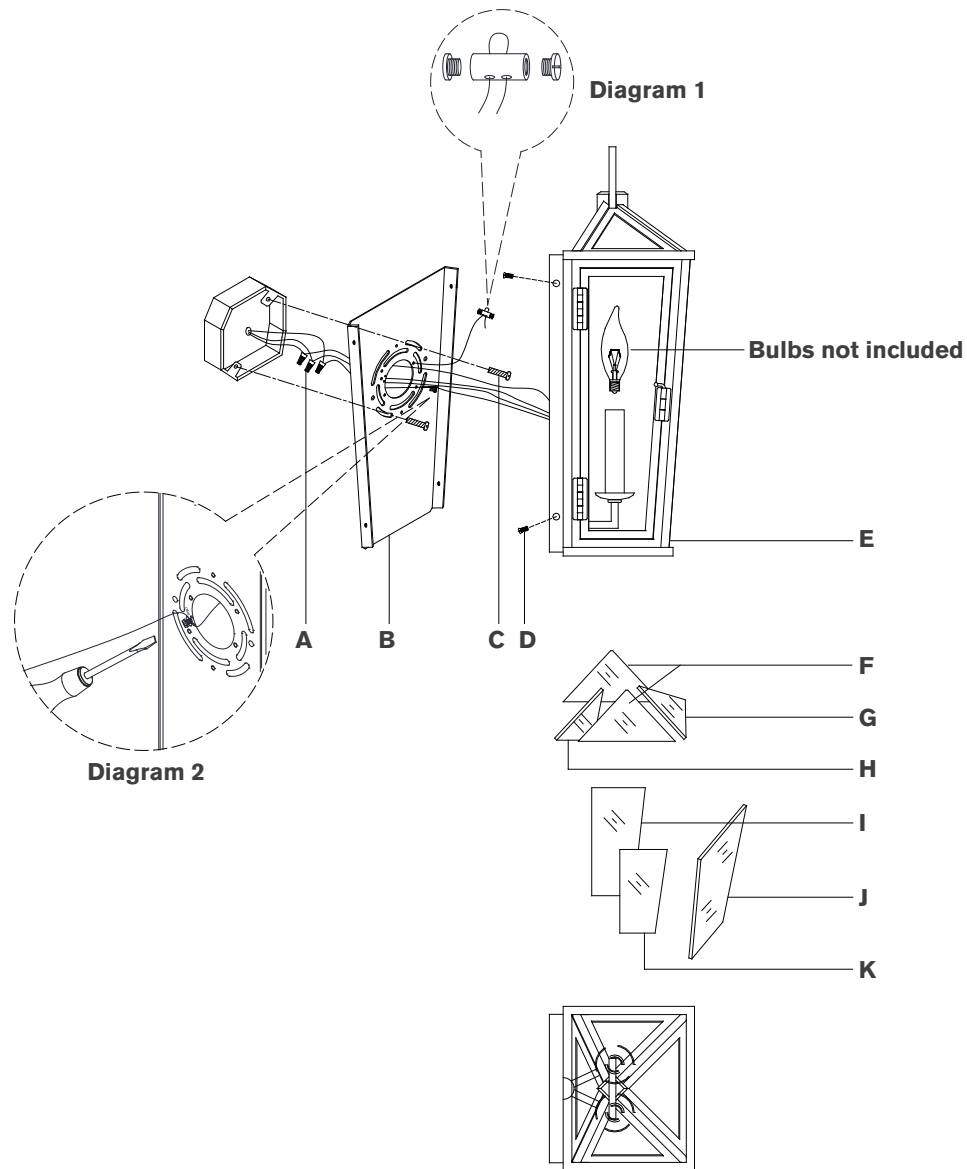
TOOLS REQUIRED (NOT INCLUDED):

Phillips Screwdriver

Slotted Screwdriver

1. Carefully remove all parts from the box. Place on a clean, soft surface.
2. Remove mounting plate **(B)** from fixture **(E)** by removing screws **(D)**.
3. Install mounting plate **(B)** to the junction box and secure with screws **(C)**.
4. Run support cable through hole on back of mounting plate **(B)**. Loosen cable lock and install to end of support cable. Insert other end of cable through the cable lock and tighten ends with a screwdriver to secure. (see diagram 1)
5. Wrap fixture ground wire (bare copper) around the green grounding screw (see diagram 2). Tighten. Continue fixture ground wire and connect to supply ground wire (usually green or bare copper) using wire nut **(A)**.
NOTE: It is imperative that the fixture is grounded.
6. Connect fixture neutral wire (white) to the supply neutral wire (usually white) using wire nut **(A)**.
7. Connect fixture hot wire (black) to the supply hot wire (usually black) using the wire nut **(A)**.
CAUTION: Do not reverse the hot and neutral connections.
8. Make sure all wire connections are tight and tuck into the junction box.
9. Install fixture **(E)** to mounting plate **(B)** and secure with screws **(D)**.

ASSEMBLY INSTRUCTIONS



Darlana Tall 3/4 Wall Lantern

Item # CHO 2087

NOTICE:

This light fixture should be installed in accordance with all applicable, local installation codes, and by a person familiar with the construction and operation of it, as well as the hazards involved. Inspect item and contents carefully. If any damage or defect is found, do not install. Retain all packaging material until installation is complete and approved.

- Place glass panel **(J)** on the front of the frame and secure it by bending the metal tabs.
- Place glass panel **(I)** on the side of the frame and secure it by bending the metal tabs.
- Place glass panel **(H)** on the top back of the frame and secure it by bending the metal tabs.
- Place glass panels **(F)** on the top side of the frame and secure it by bending the metal tabs.
- Place glass panel **(G)** on the top front of the frame and secure it by bending the metal tabs.
- NOTE:** Rubber gasket on top glass must stay in place between glass and fixture frame in order for item to be properly protected from water. Do not remove.
- Place glass panel **(K)** on the door of the frame and secure it by bending the metal tabs.
- Install light bulbs into the sockets.

FOR OUTDOOR/WET LOCATION INSTALLATION:

- Using silicon compound, apply small bead where backplate meets wall to prevent water from entering.

NOTE: Large gaps will need to be corrected before applying silicon compound.

Care Instructions: Clean only with a soft dry cloth or feather duster. Do not use abrasive or chemical agents.