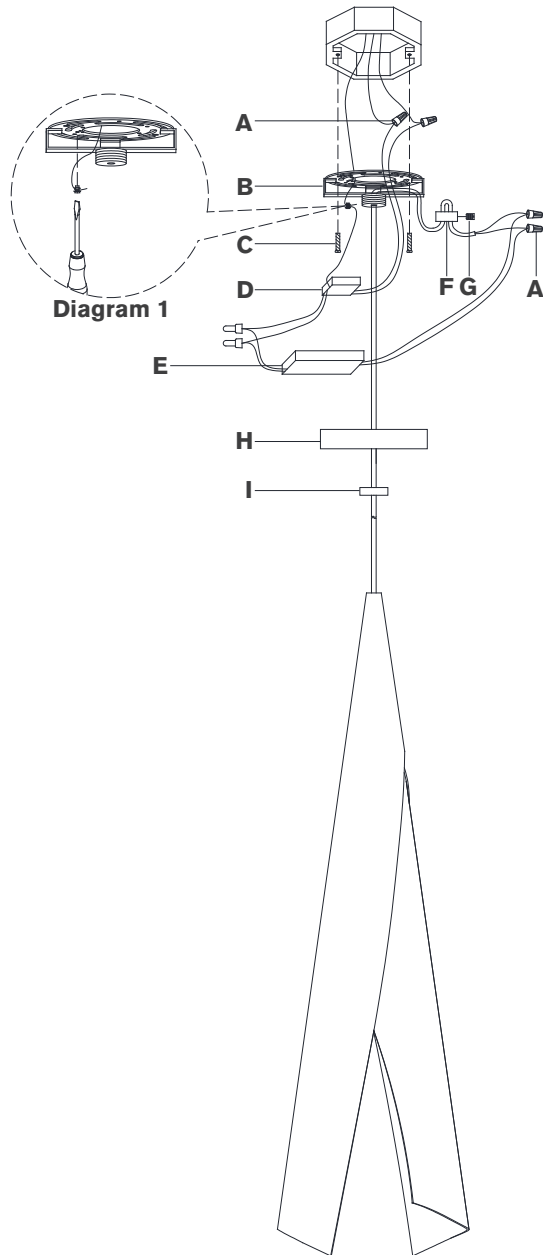


## ASSEMBLY INSTRUCTIONS



## Piel Medium Wrapped Pendant

Item # KW 5632

### NOTICE:

This light fixture should be installed in accordance with all applicable, local installation codes, and by a person familiar with the construction and operation of it, as well as the hazards involved. Inspect item and contents carefully. If any damage or defect is found, do not install. Retain all packaging material until installation is complete and approved.

### TOOLS REQUIRED (NOT INCLUDED):

Phillips Screwdriver

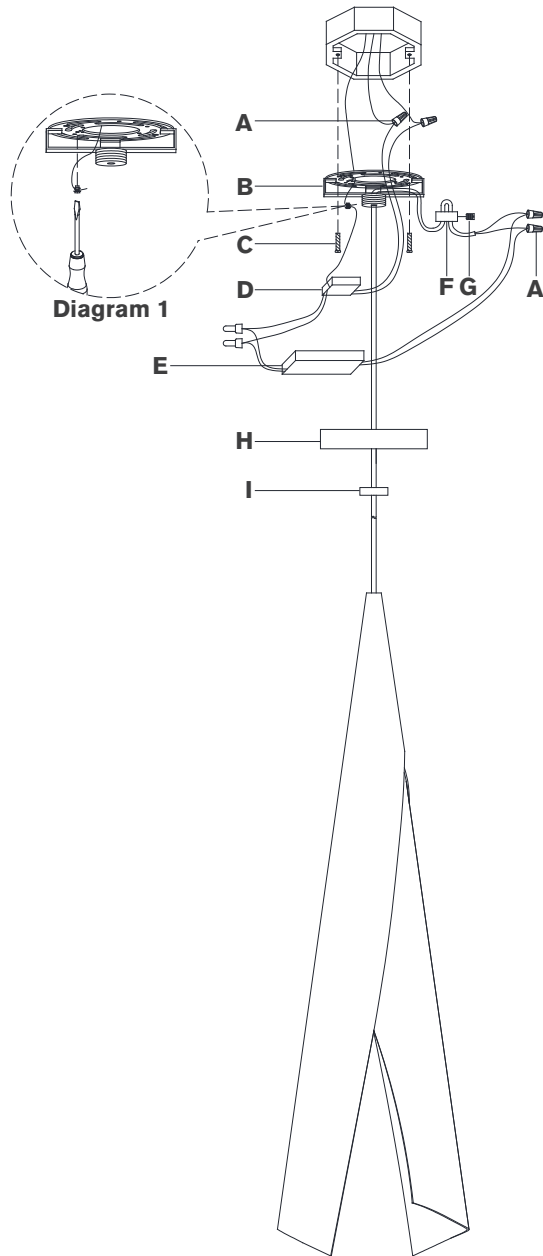
Slotted Screwdriver

Wire Cutters

Wire Strippers

1. Carefully remove all parts from the box. Place on a clean, soft surface.
2. Remove mounting plate **(B)** from canopy **(H)** by removing collar ring **(I)**.
3. Install mounting plate **(B)** to the junction box and secure with mounting screws **(C)**.
4. Feed fixture wire through collar ring **(I)**, canopy **(H)** and center hole of mounting plate **(B)**.
5. Loosen set screw **(G)** on wire stop **(F)** and install to fixture wire. Adjust to desired length then tighten set screw **(G)**.  
**NOTE:** Make sure there is no tension on the electrical wire when fixture is fully extended.
6. Cut excess wire, being sure to leave about **12"** to reach the junction box.
7. Remove outer housing of wire by making a neat cut all the way around, about 1" from the end. Once cut is made, remove and discard the 1" piece of housing, exposing the electrical wires.  
**NOTE:** Make sure not to cut too deep into housing or electrical wires could become damaged.
8. Separate wires, and strip insulation on each 5/8".
9. Connect fixture black wire to the driver output neutral wire (black) using wire nut **(A)**.

## ASSEMBLY INSTRUCTIONS



## Piel Medium Wrapped Pendant

Item # KW 5632

### NOTICE:

This light fixture should be installed in accordance with all applicable, local installation codes, and by a person familiar with the construction and operation of it, as well as the hazards involved. Inspect item and contents carefully. If any damage or defect is found, do not install. Retain all packaging material until installation is complete and approved.

10. Connect fixture red wire to the driver output hot wire (red) using wire nut **(A)**.
  11. Connect supply ground wire (usually green or bare copper) around the green grounding screw (see diagram 1).
  12. Connect filter **(D)** neutral wire (white) to the supply neutral wire (usually white) using wire nut **(A)**.
  13. Connect filter **(D)** hot wire (black) to the supply hot wire (usually black) using wire nut **(A)**.
- CAUTION:** Do not reverse the hot and neutral connections.
14. Make sure all wire connections are tight, then carefully tuck into the junction box.
  15. Insert driver **(E)** into mounting plate bracket.
  16. Install canopy **(H)** to mounting plate **(B)** by securing with collar ring **(I)**.

**Care Instructions:** Clean only with a soft dry cloth or feather duster. Do not use abrasive or chemical agents.