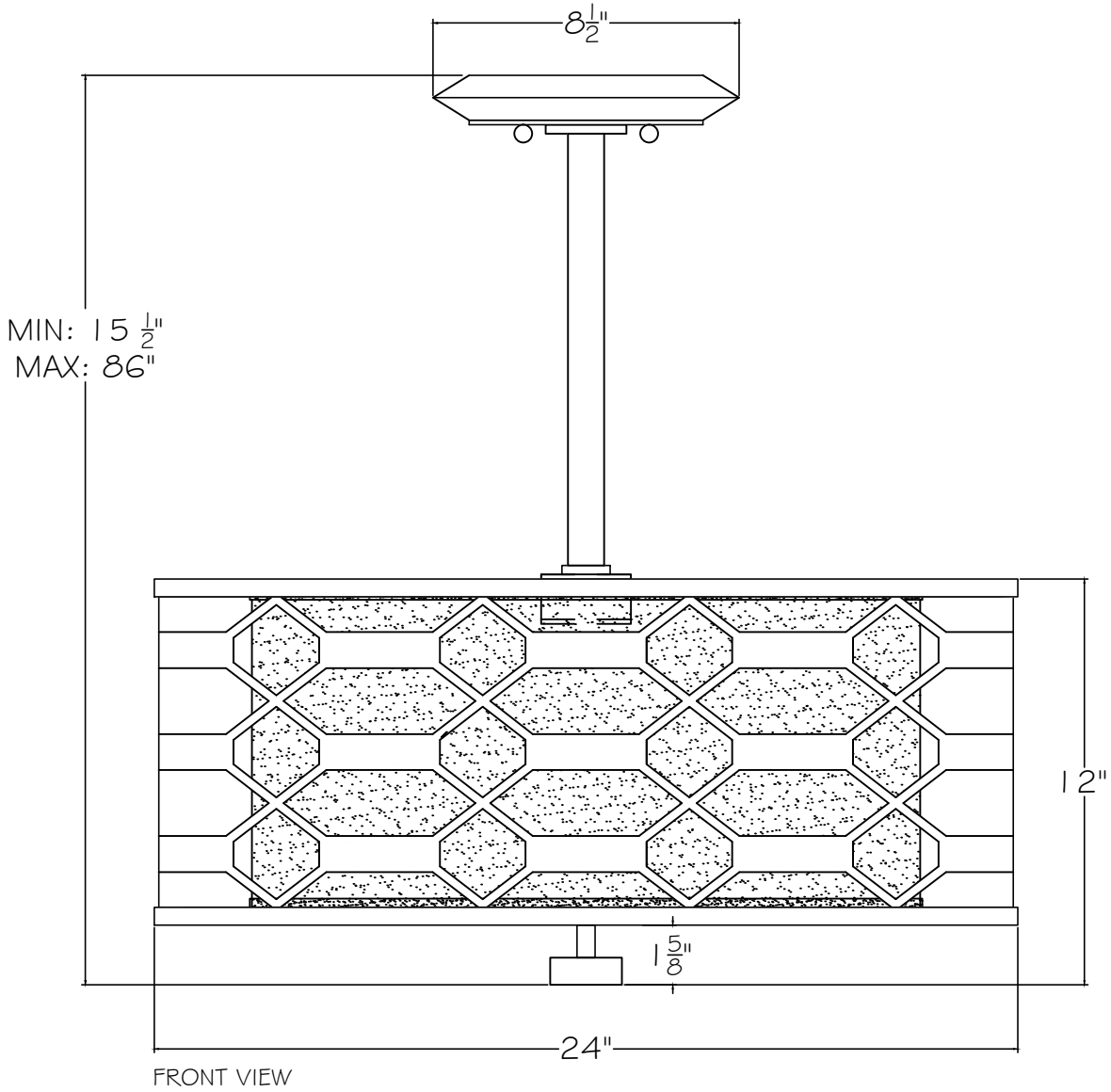


CUSTOMER REFERENCE DRAWING



STYLE CONFIGURATIONS:

-GU SILVER

-2GU GOLD

-SF41 SILVER / WHITE SHADE

-SF33 GOLD / BEIGE SHADE



This drawing, specifications and the product depicted are the exclusive property of Fine Art Handcrafted Lighting®. In compliance with US copyright and patent requirements, notice is hereby given that this document and the product depicted shall not be copied, altered or used in any manner without the expressed written consent of Fine Art Handcrafted Lighting®.

www.finearthl.com

Tel:(305) 821-3850
FINE ART LAMPS®

Fax:(305) 513-5736

STYLE NUMBER:

787540

DATE:

4/17/2020