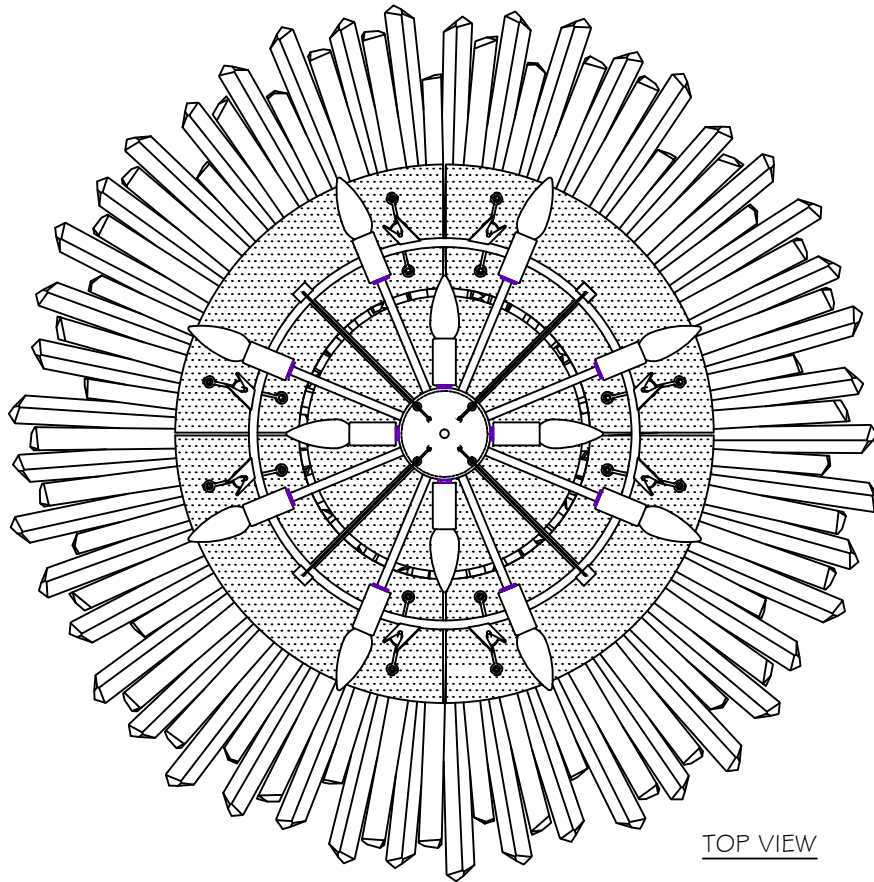
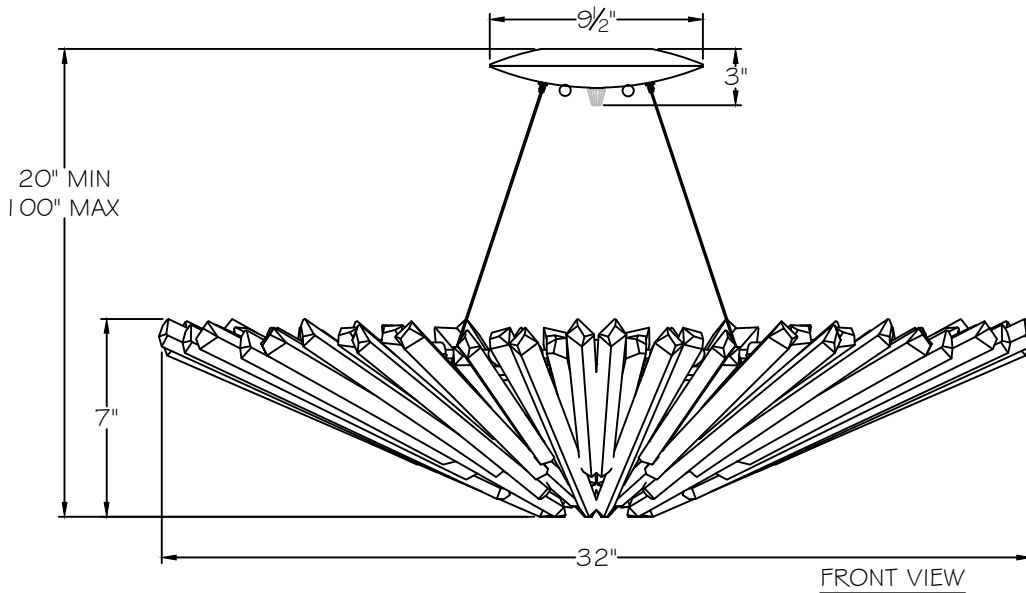


# CUSTOMER REFERENCE DRAWING

REV.	ECN # IF APPLIC.	REVISION DESCRIPTION	REQ. BY	DRAFTER	DATE
1	NA	ORIGINAL RELEASED VERSION	NA	AC	9/23/19



TOP VIEW



FRONT VIEW

**FINE  
ART  
LAMPS®**  
EST. 1940

This drawing and specifications are the exclusive property of FINE ART LAMPS® issued in strict confidence and shall not, without the prior written permission of FINE ART LAMPS® be produced, copied or used for any purpose whatsoever except the manufacture articles for FINE ART LAMPS®  
www.fineartlamps.com  
TEL:(305) 821-3850 FAX:(305) 821-1564

STYLE NUMBER: 870240-15T  
PART NUMBER:

SCALE: N.T.S.	DRAFTER: AC	STYLE ENGINEER: DG	DATE: 9/23/19	REVISION: 1	SHEET: 1 / 1
---------------	-------------	--------------------	---------------	-------------	--------------